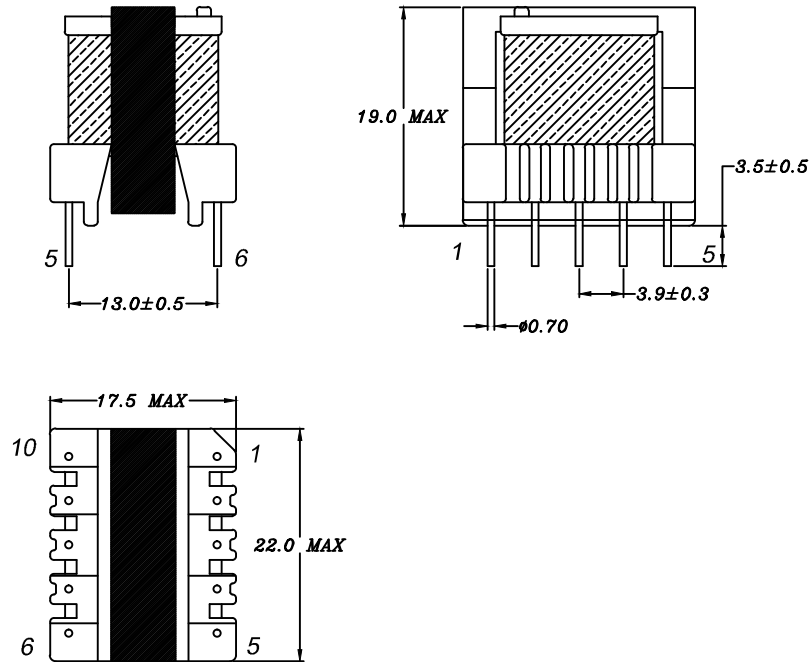
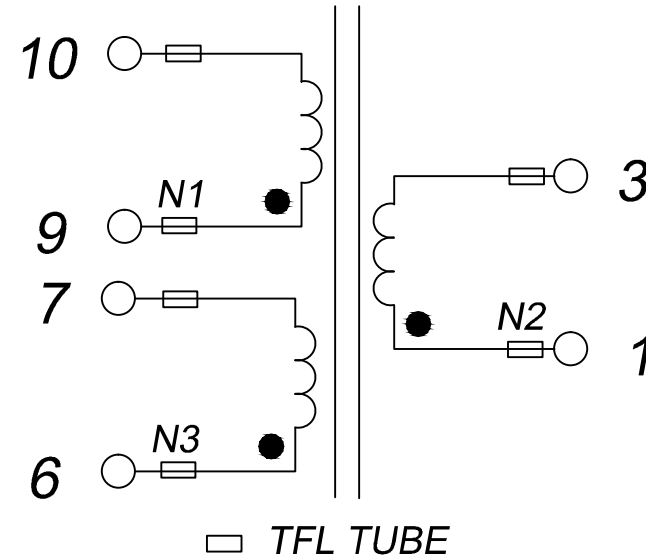


CUSTOMER TERMINAL	ROHS	Lead (Pb) -free
	YES	YES

### 1. Mechanical Dimensions



### 2. Schematic Diagram



### 3. Material List

Core:FW40-EE19  
 Bobbin:FWB1909 (5+5pin)  
 Wire:1UEW TEX-B  
 Tube:TFL TUBE AWG#28、32  
 Operating Temperature: -30 to 115°C

### 4. Electrical Specification

Inductance:  $L(9-10)=2.2\text{mH}\pm 10\%$  10KHZ 0.1V  
 DCR: (1-3)=60mΩ MAX (6-7)=1.0Ω MAX  
 (9-10)=3.0Ω MAX  
 HI-POT: P-S AC 3600V 5mA 1S N1-N3 AC 1500V 5mA 1S  
 P、S-CORE AC 500V 5mA 1S

REV.	DATE	 Convention Placement	DRW.	Drawing Title: <b>TRANSFORMER</b>	Part No:
0	00/00		CHK.		Customer P/N:
RoHS		www.ferriwo.com	APP.		Specification Sheet 1 of 1